

SunSaver 10/20

Solar Charge
Controllers

The Morningstar SunSaver is the market's leading small solar charge controller for both professional and consumer applications.

Its technology provides an exceptional reliability, a PWM battery charging and a consistent high quality.

The SunSaver's advanced design delivers outstanding performance with an economical price.

Its low cost is made possible by Morningstar's unique approach to design and manufacturing:

- Quality programs ISO 9002.
- Latest power electronic technologies.
- Latest control and logic technologies.



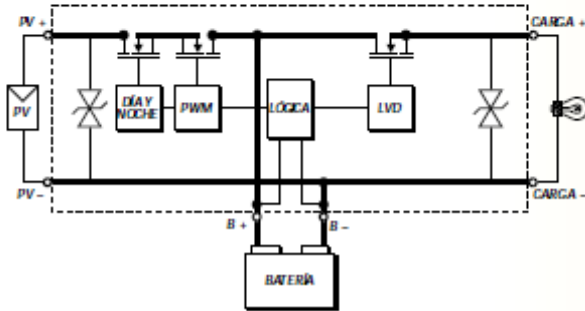
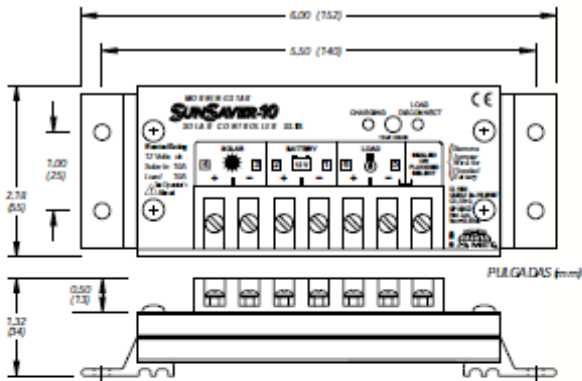
Features:

- 100% solid state.
- Series design (not shunt).
- True 0 to 100% PWM duty cycle.
- Setpoint accuracy to 35 mV.
- Rated for 25% overloads.
- Fully encapsulated in epoxy resin.
- Marine rated terminals/anodised enclosure.
- Temperature compensation.
- Gelled/flooded battery selection.
- No additional compensation needed.
- Parallel connection for 40 A or more.
- Green charging and red LVD indicators.
- Approved for use in hazardous locations Class 1, Division 2, Groups A, B, C, D.



SunSaver-10/20

Specifications subject to change without previous notice.



Mechanical specifications

Wire size:	5.2 mm ² (#10 AWG).
Enclosure material:	Anodised aluminium.
Terminal material:	Marine rated stainless steel.
Encapsulation material:	Epoxy resin.
Weight:	0.23 kg.

Electrical specifications

Electrical specifications	12V	24V
Rated solar input	10/20 A	
Rated solar load	10/20 A	
25% current overload	5 min.	
Regulation voltage:		
-Gelled battery	14.1V	28.2V
-Flooded battery	14.4V	28.8V
Load disconnection	11.5V	23.0V
LVD reconnection	12.6V	25.2V
Temperature Compensation (mV/°C)	-28	-56
Self-consumption	From 6 to 10 mA	
Operating temperature	From -40° to +85°C	

MODELO	RANGO SOLAR (A)			RANGO DE CARGA (A)			LVD	12V	24V
	0	10	20	0	10	20			
.SS-10	Blue	Yellow	Blue	Blue	Yellow	Blue	Blue	Blue	Blue
.SS-10L	Blue	Yellow	Blue	Blue	Yellow	Blue	Blue	Blue	Blue
.SS-10-24V	Blue	Yellow	Blue	Blue	Yellow	Blue	Blue	Blue	Blue
.SS-10L-24V	Blue	Yellow	Blue	Blue	Yellow	Blue	Blue	Blue	Blue
.SS-20L	Blue	Blue	Blue	Blue	Blue	Blue	Blue	Blue	Blue
.SS-20L-24V	Blue	Blue	Blue	Blue	Blue	Blue	Blue	Blue	Blue



Mediterráneo Señales Marítimas, S.L.
 Pol. Ind. Mas de Tous - C/ Oslo 12
 46185 La Pobla de Vallbona - Valencia SPAIN
 +34 96 276 10 22
 msm@mesemar.com
 www.mesemar.com

