

# MBM 30

## Mooring BuOys



MBM Mooring BuOys are especially designed for mooring big vessels, however they can be used for a wide range of applications such as off-shore prospecting platforms, fuel hose holders, weather stations support, etc.

Thanks to their solid construction, they are virtually unsinkable, even against a strong impact. The manufacture process is the same than the one used for vessel mooring fenders in ports, ready to withstand repeated collisions without deforming.

A self-contained signal lantern is integrated inside the buoy structure, thus avoiding possible shocks during mooring works.

Designed according to IALA Recommendations.

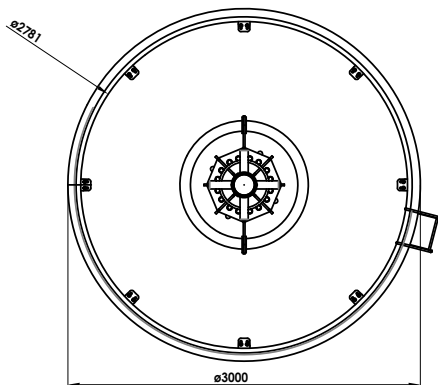
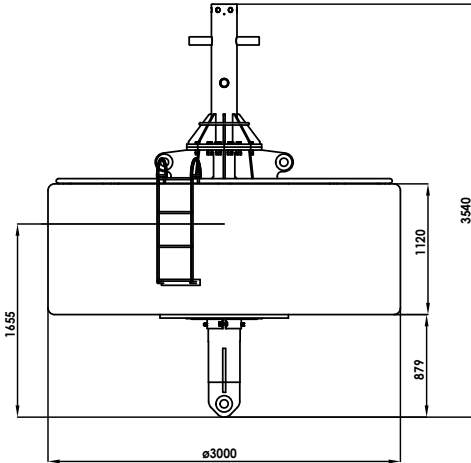
## Features:

- Float manufactured with closed-cell polyethylene foam sheet (no water absorption) projected with a layer of coloured polyurethane elastomer, high shock resistance.
- Metallic structure for chain and mooring fixings made from naval steel.
- High mooring capacity, up to 150 tones.
- Anti-sliding top float surface, to increase security during mooring and maintenance works.
- Under customer request, buOys can be supplied with quick-release hook.
- Protections against abrasion located on the float top and bottom, from stainless steel.
- The self-contained lantern, with a vertical divergence up to 15°, is visible at a long distance, even when the buoy is tilted as result of the efforts from a vessel.
- Stainless-steel hardware.
- Minimum maintenance.
- Designed according to IALA Recommendations.



Specifications subject to change without previous notice.

# MBM 30



Mediterráneo Señales Marítimas, S.L.

Pol. Ind. Mas de Tous - C/ Oslo 12  
46185 La Pobla de Vallbona - Valencia SPAIN

+34 96 276 10 22

msm@mesemar.com

www.mesemar.com



## Top mooring structure

<b>Material:</b>	Naval steel.
<b>Coating:</b>	80 microns hot-dip galvanized. 1 especial primer coat for galvanized surfaces. 2 nos. 80 microns each polyurethane finishing, UV and corrosion resistant.
<b>Lifting eyes:</b>	2 nos.
<b>Hardware:</b>	Stainless steel.

## Float

<b>Diameter:</b>	3 metres.
<b>Material:</b>	Closed-cell polyethylene foam sheet.
<b>Coating:</b>	Projected with a layer of coloured polyurethane elastomer, anti UV.
<b>Protection:</b>	AISI 316 stainless-steel cable eye ring.

## Tail

<b>Material:</b>	Hot-dip galvanized steel.
<b>Mooring eyes:</b>	1 no.
<b>Protection:</b>	Sacrifice anodes.

## Self-contained lantern

<b>Light source:</b>	Ultra-bright LED diode, with high-precision acrylic lens.
<b>Luminous range:</b>	Up to 3 nm (T=0.74) 4 nm (T=0.85).
<b>Colour:</b>	Amber.
<b>Vertical divergence:</b>	Up to 15° (50% lo).
<b>LED average life:</b>	More than 100,000 hours.

## Options

- Stainless-steel superstructure.
- Quick-release hooks up to 150 tones.
- Other mooring capacities available under request.

	Float diameter (*)	Focal height (*)	Float height (*)	Total weight	Mooring capacity
MBM	3 M	1.1 M	7.50 m <sup>3</sup>	1,200 kg	100 Tn

\*Other diameters and heights available under request.