



MA330RC



MA330C

MAXI SEARCHLIGHTS



Designed for professional offshore use, made in non-corrosive materials.

Available in direct manual control, under-deck manual control and electrical remote control with double speed pan control (optional).



Finished in white powder coating for a long trouble-free life.



It opens at the back for easy access to lamp and reflector. Knob at the back of the searchlight for external focus control.



Maximum efficiency through axially fitted halogen lightsource.

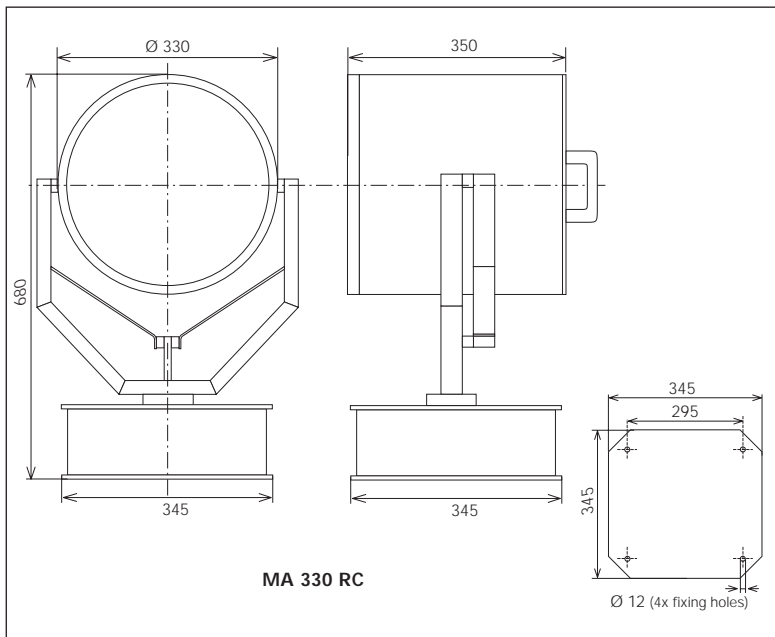
Maximum performance through its deep, short focus copper/chrome reflector, providing maximum lightoutput.



MAXIMUM VALUE AT MINIMUM COST.

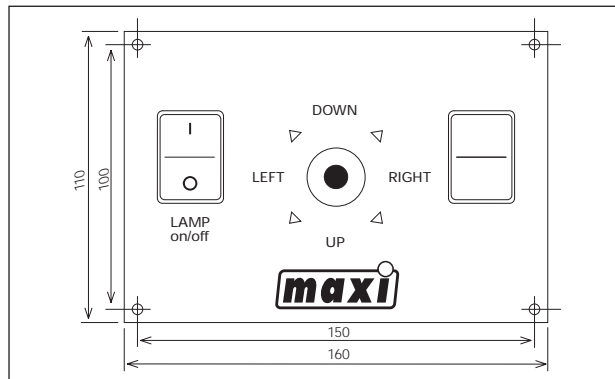
DIMENSIONS

all dimensions in mm.



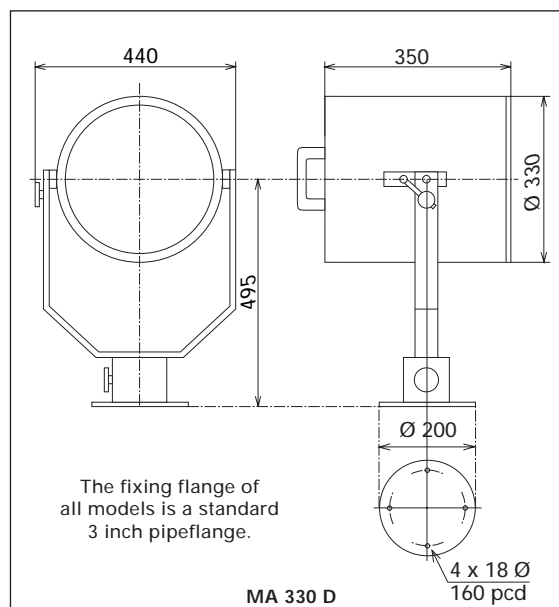
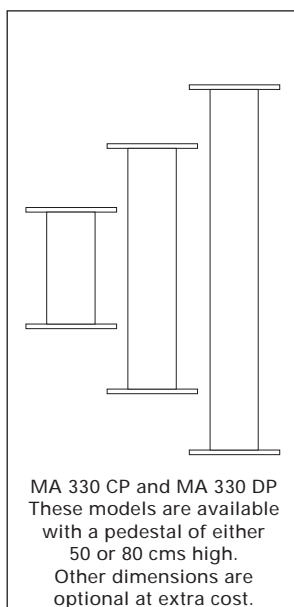
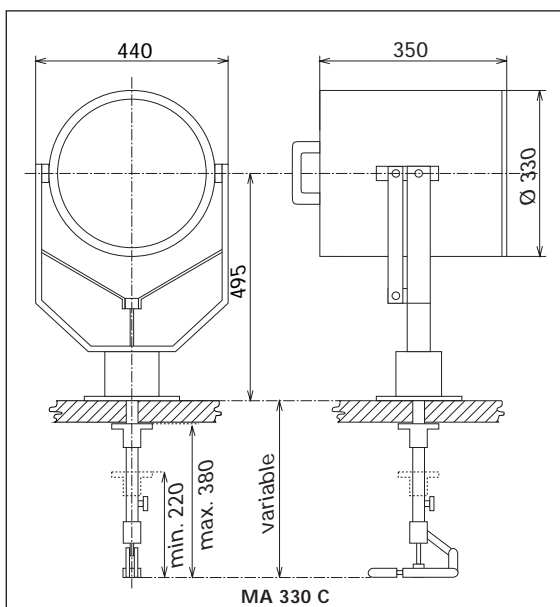
MOTOR UNIT SPECIFICATIONS

Pan movement:	350°
Tilt movement:	+30° to -30°
Pan speed:	6°/sec < X < 30°/sec
Tilt speed:	1,2 mm/sec
Operating temp.:	-30° C to +70° C
Standard:	Thermocontrolled heater 75 W
Supply voltage:	220/230 V / 50-60 Hz or 24 V dc



DIMENSIONS

all dimensions in mm.



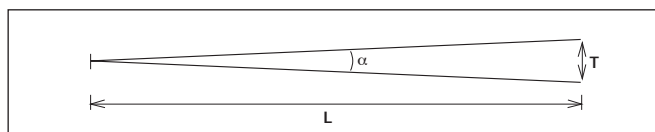
MA330C = Cabin Control - low base • MA330CP = Cabin Control - high pedestal • MA330D = Direct Control - low base • MA330DP = Direct Control - high pedestal

SPECIFICATIONS

Model	Voltage	Watts	PBCP (measured) Lum x 1000	Range in meters (L)	Divergence (α)	Illuminated Area at target/1 lux (T)
MA330	24	250	1.200	1.100	H 7° - V 4°	Ø 90 m
	220	650	725	850	H 7° - V 4°	Ø 100 m
	220	1000	950	1.000	H 12° - V 8°	Ø 110 m

Model	Weight
MA330 C	22 kg
MA330 D	17 kg
MA330 RC	27 kg

Weight of P-versions depend on height of the pedestal.



your supplier:



www.imaxtrading.net