

Steering wheel



The Kwant Controls steering wheel is in fact a special type of the PMA potentiometer drive, dedicated to adjusting the ship's heading.

The material of the wheel is usually transparently varnished wood, a finish in black paint is optionally available. The diameter of the hand wheel is 250mm, the base plate comes in 3 variants: 144×144, 192×192 or 270×270mm.

Possible output signals

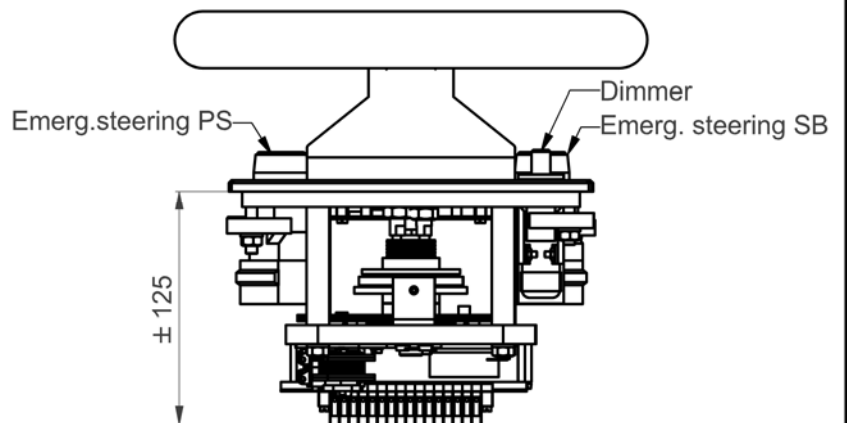
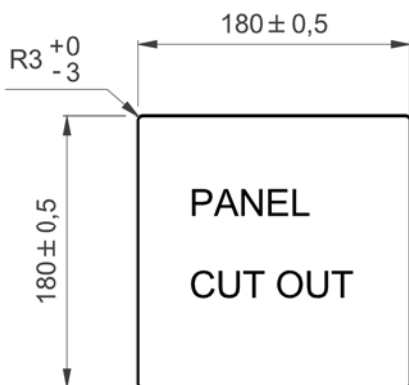
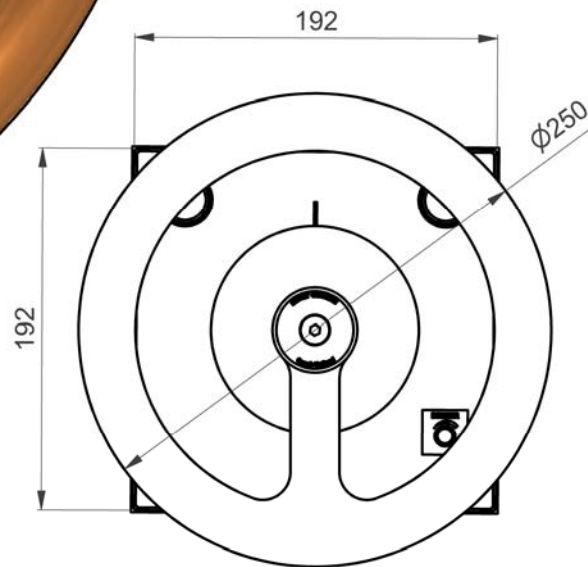
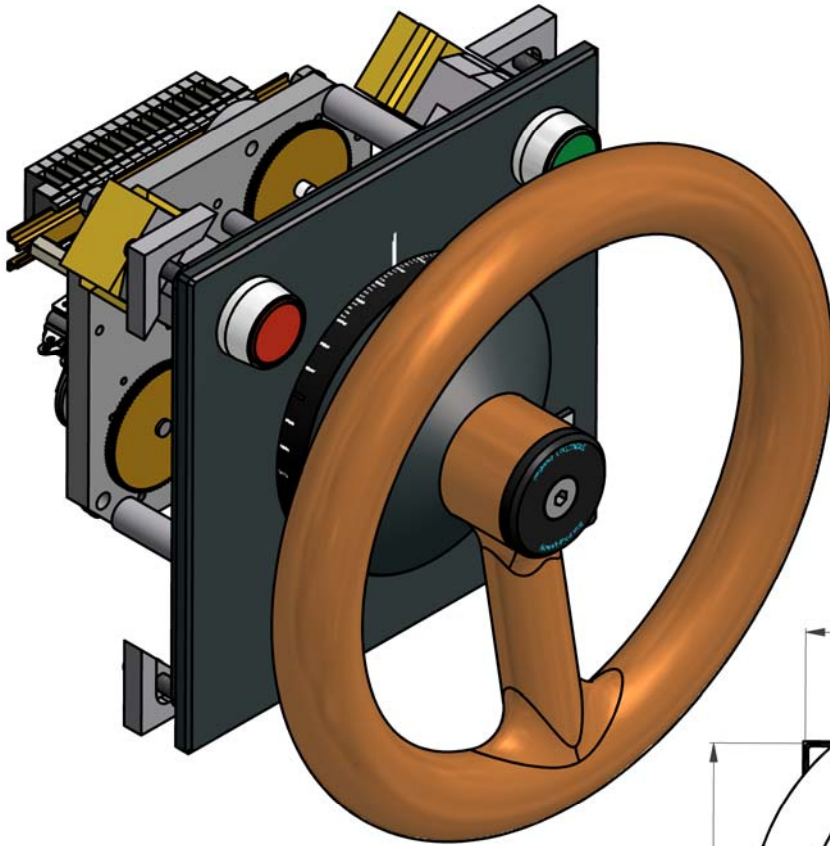
- 2KOhm;
- 5KOhm;
- 4-20mA;
- Integrated CAN;

Specifications

The steering wheels are equipped with an adjustable friction device that keeps the wheel in position when released, and acts as a steering damper when moved by hand. Optionally, they can be spring loaded for auto return to midship position. The default electrical signal transmitter is a 2KOhm potentiometer that returns 10-90% of its supply voltage. The IP rating is IP56. A LED illuminated dial is included. Also available in a miniaturized execution, also known as the PMA-96.

Options

- Spring loaded i.e. the steering wheel will be forced to midship position when released, by means of a special coiled spring;
- Electric shaft stepper servo motor for automatic line up with remote stations or autopilot system;
- Directional contacts or pushbutton switches for NFU (Non Follow Up) steering.
- An alternative for the wooden wheel models is the steering hub, a very rugged device that will accept commercially available steering wheels from third party suppliers.



RUWHEID VOLGENS
NEN-ISO 4287

MAATTOLERANTIES
VOLGENS NEN-ISO 406

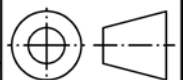
MATERIAAL :

VORM- EN PLAATSTOLERANTIES
VOLGENS NEN-EN-ISO 1101

Steering wheel panel 192 mm

Form.
A4

4A0116909



KWANT CONTROLS

KWANT CONTROLS B.V. SNEEK HOLLAND

Maten in millimeters

HET AUTEURSRECHT
WORDT VOORBEHOUDEN
OVEREENKOMSTIG DE WET

Wijz.:

Get.: Evd

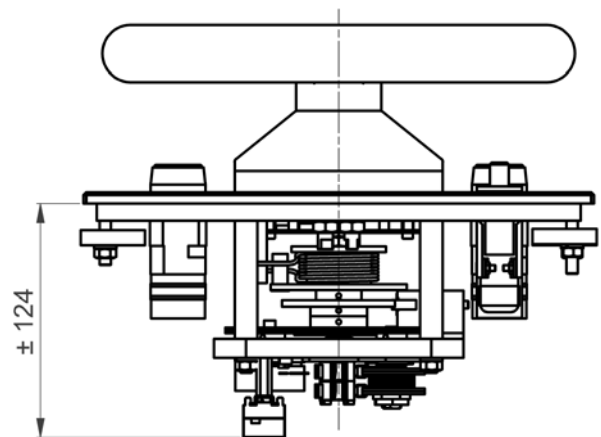
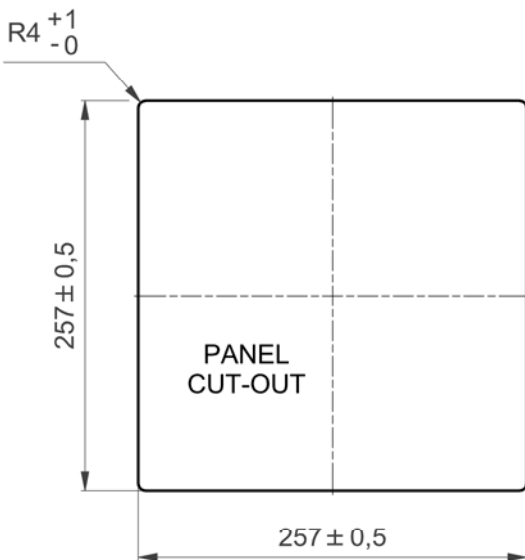
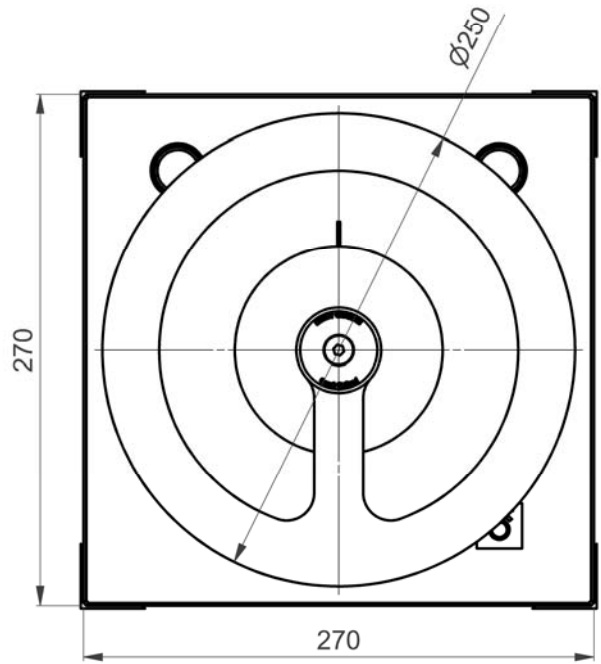
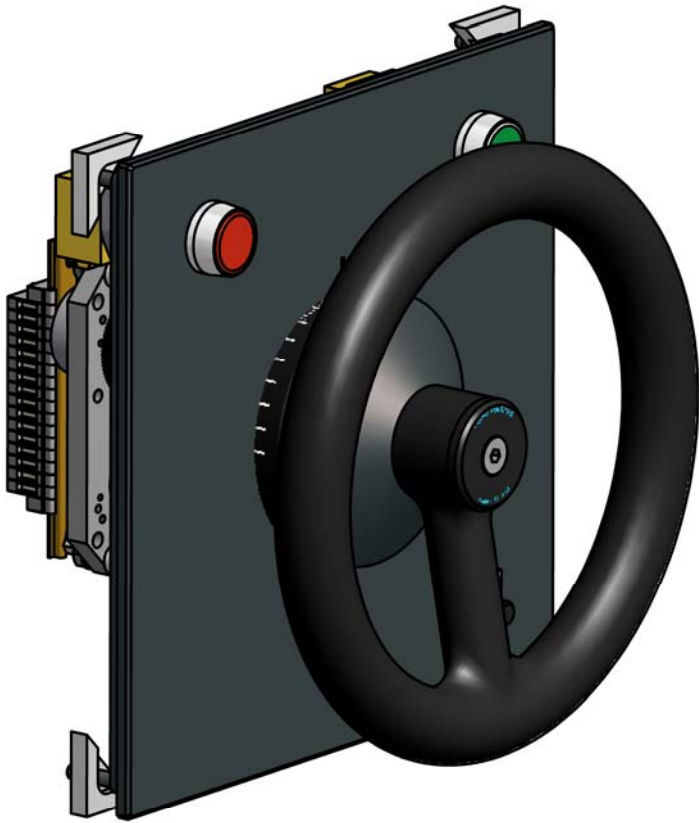
Schaal: 1:5

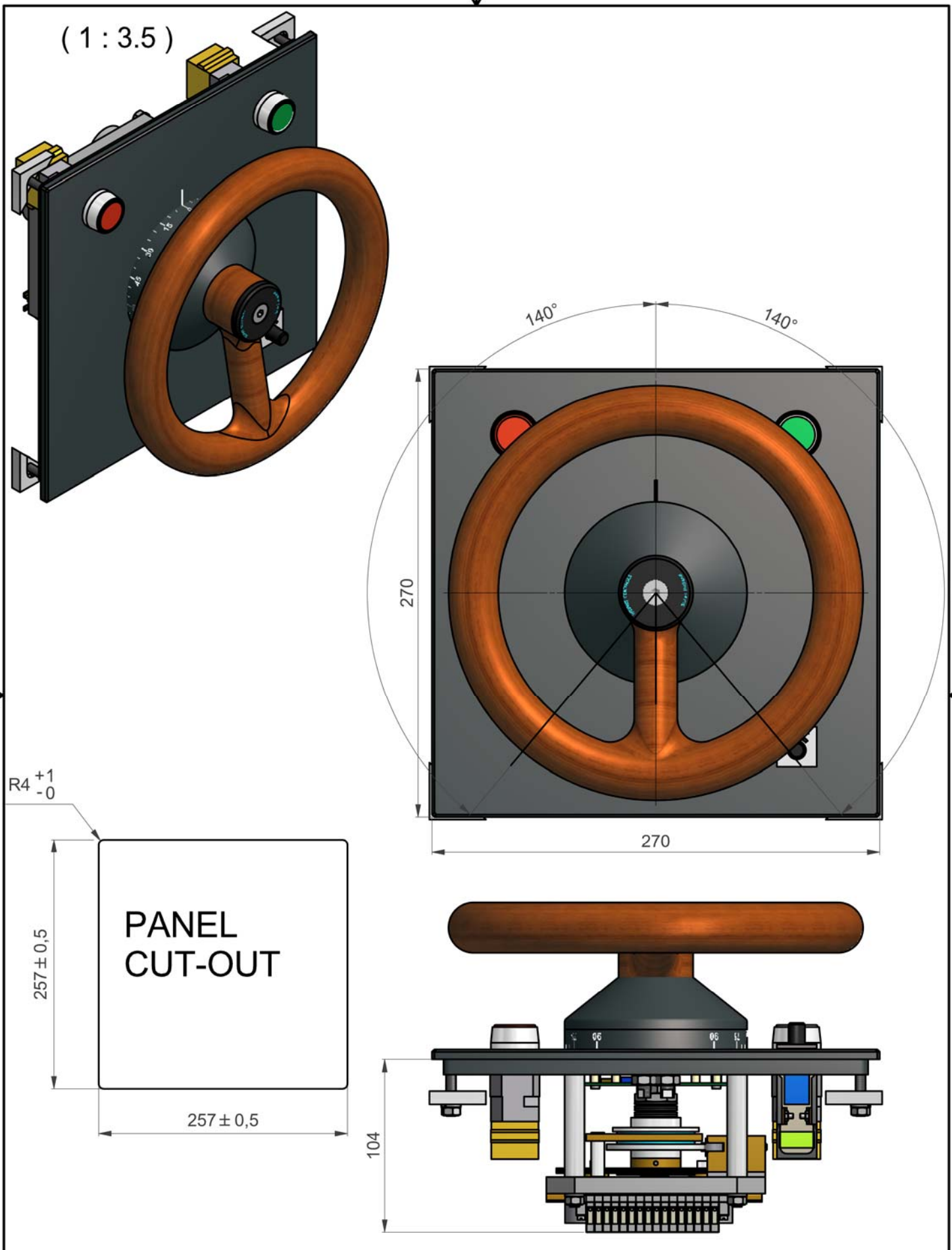
Art.:

Datum: 5-6-2008

Vrijgave dd:

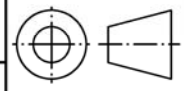
Blad: 1 / 1





STEERING WHEEL 270x270

Form. A4 4A0118302

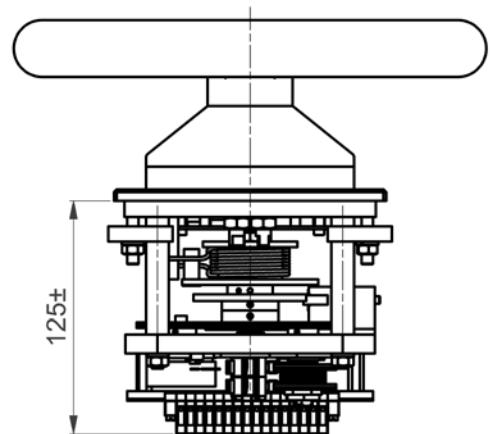
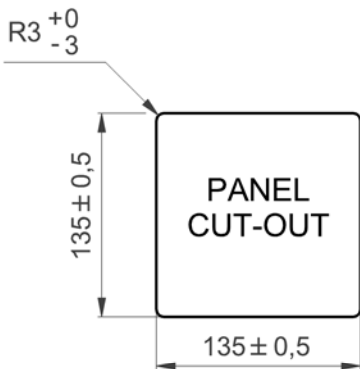
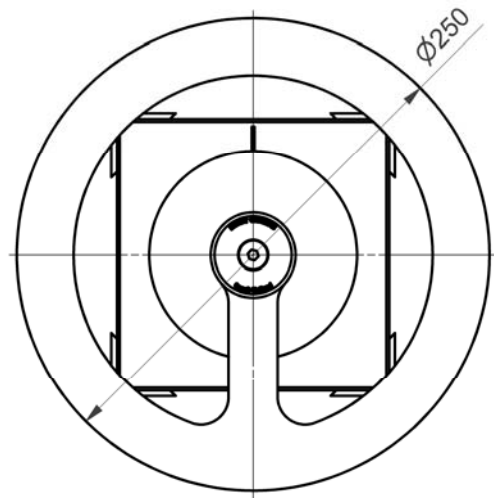
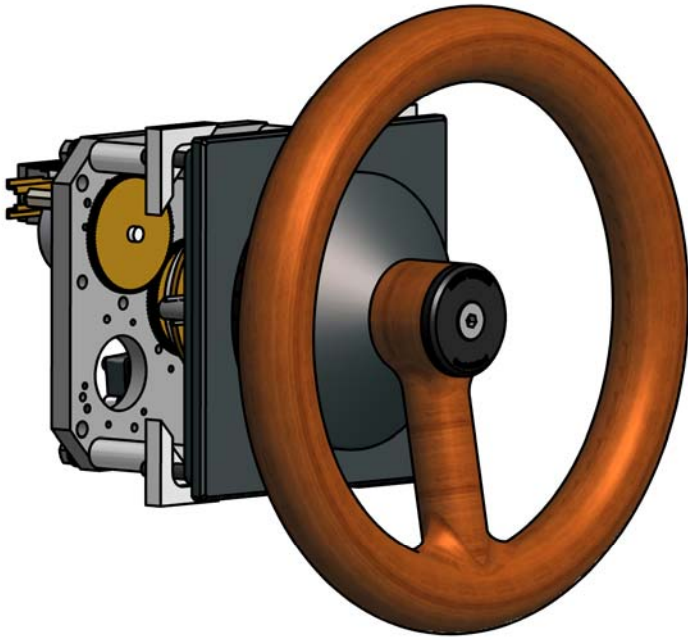


KWANT CONTROLS
KWANT CONTROLS B.V. SNEEK HOLLAND

Maten in millimeters
HET AUTEURSRECHT WORDT VOORBEHOUDEN OVEREENKOMSTIG DE WET

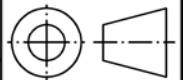
Wijz.:
Get.: SJ
Datum: 9-9-2009
Schaal: 1 : 3
Art.:
Ontwerp status:

Blad: 1 / 1



Steering wheel 144² Springreturn

Form. A4 4A0111362



KWANT CONTROLS
KWANT CONTROLS B.V. SNEEK HOLLAND

Maten in millimeters
HET AUTEURSRECHT WORDT
VOORBEHOUDEN
OVEREENKOMSTIG DE WET

Wijz.: C

Art.: -

Get.: SS

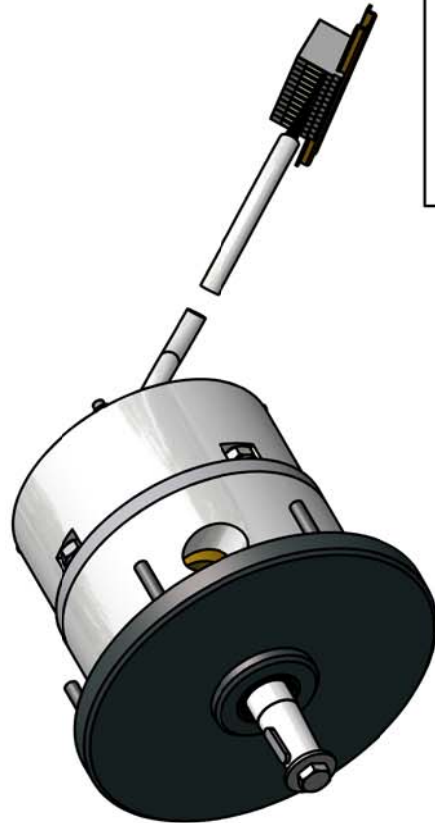
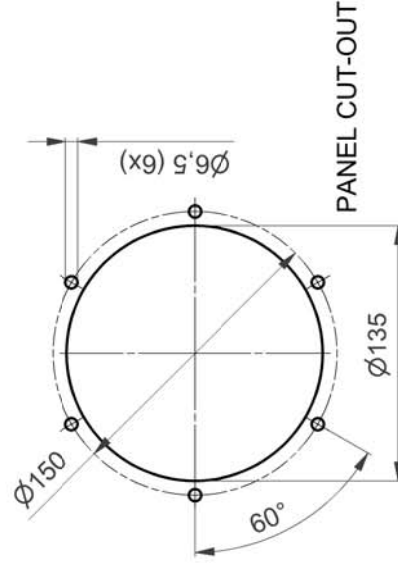
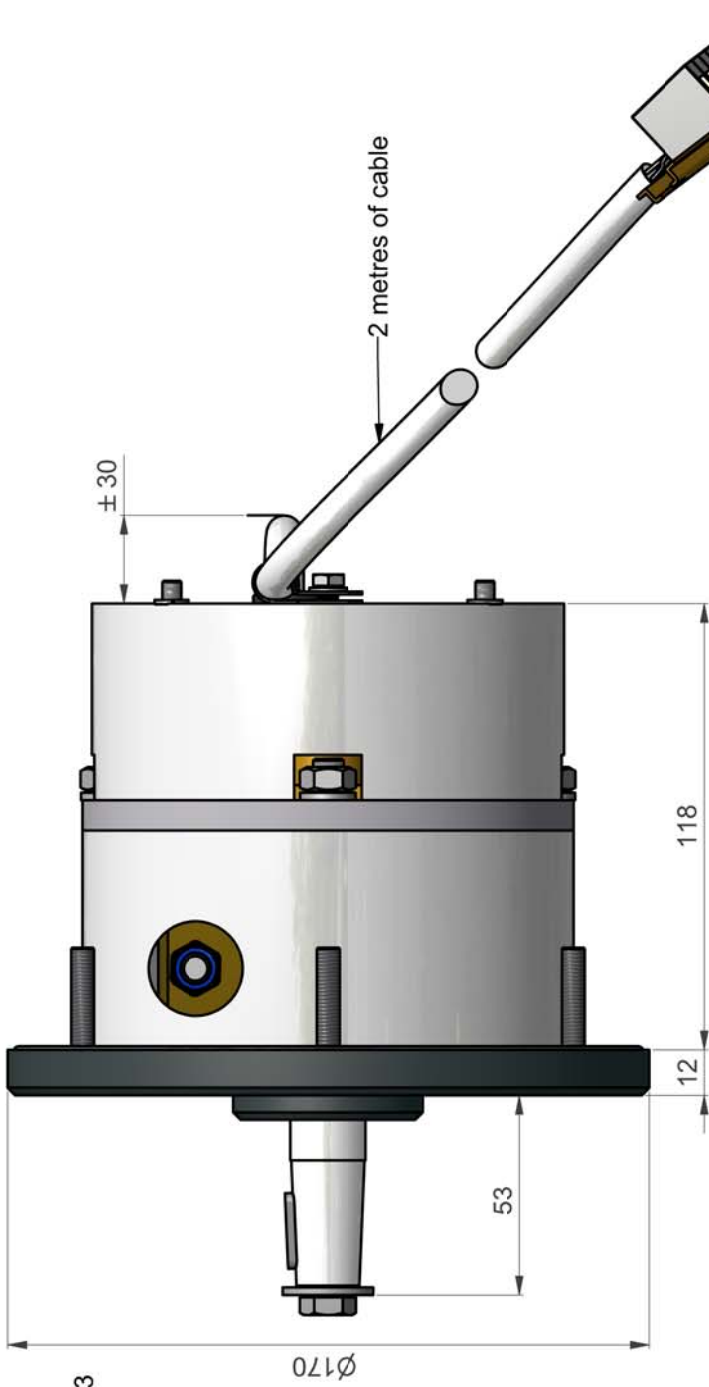
Datum: 23-5-2003

Blad: 1 / 1

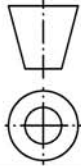
Schaal: 1:5

Vrijgave dd:

Released



Protection frontside : IP 56
 rotation angle : 2 x 45°
 Adjustable friction device.
 Detent in zero position.

STEERING UNIT KWANT CONTROLS KWANT CONTROLS B.V. SNEEK HOLLAND		Form:	4A0113572		 Blad: 1 / 1
		A4	Wijz.:	B	
Maten in millimeters HET AUTEURSRECHT WORDT VOORBEHOUDEN OVEREENKOMSTIG DE WET		Get.:	Evd	Datum:	18-5-2005
		Schaal:	2:1	Vrijgave dd:	