

Propulsion control unit: BUK-G mk2



The BUK-G mk2 is the **IP68 level** model of the BUK-G and has been especially designed for applications in yachting. It has a slightly different shape compared to the standard BUK-G, to be protected from immersion in water with a depth over 1 meter. The BUK-G mk2 is suitable for both propulsion and transverse thruster control. The basic signal transmitter is a 2KOhm potentiometer that returns 10-90% of its supply voltage over the full lever travel of 120°.

Possible output signals

- 2KOhm;
- 5KOhm;
- 4-20mA;
- Integrated CAN;

Specifications

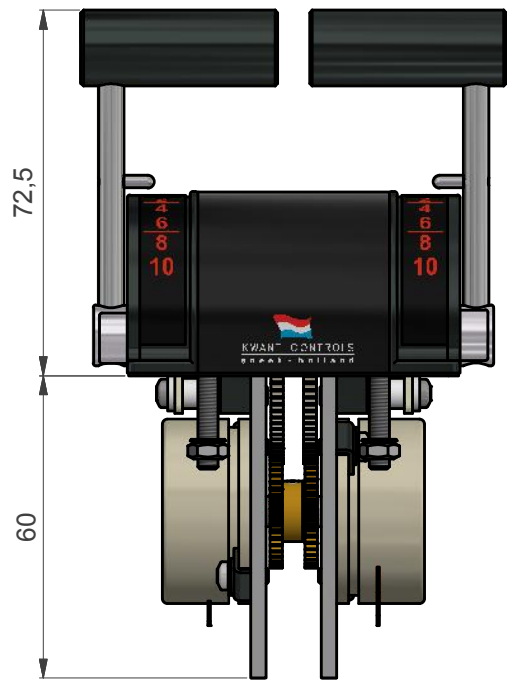
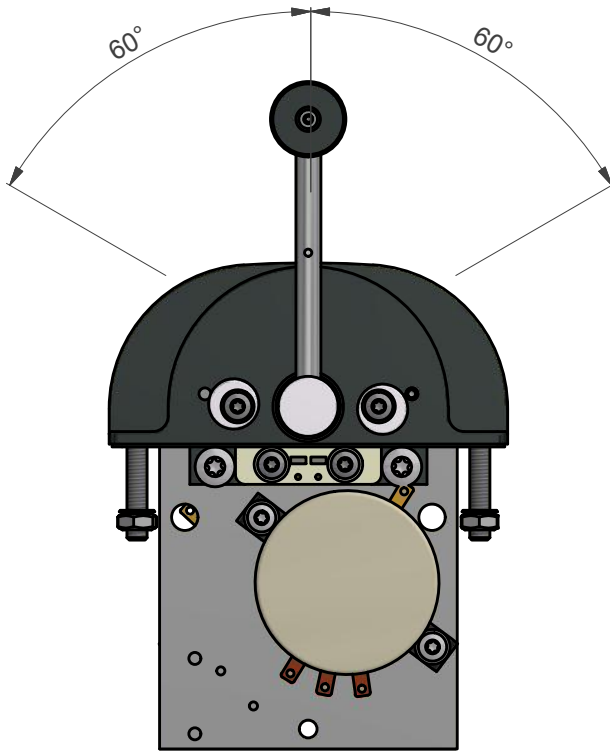
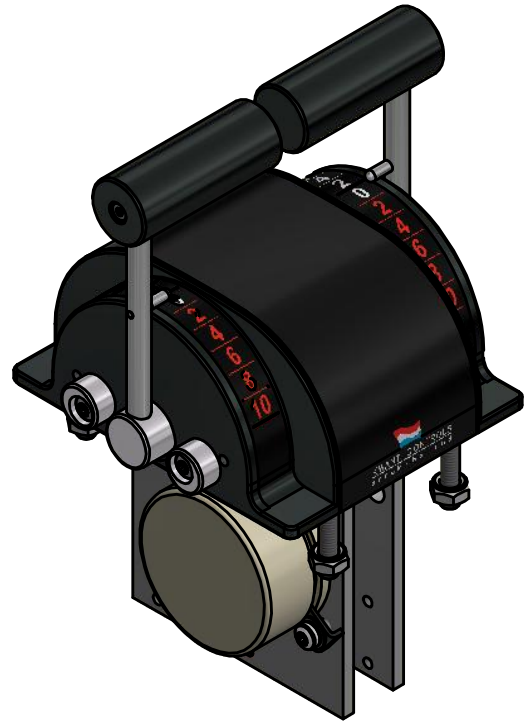
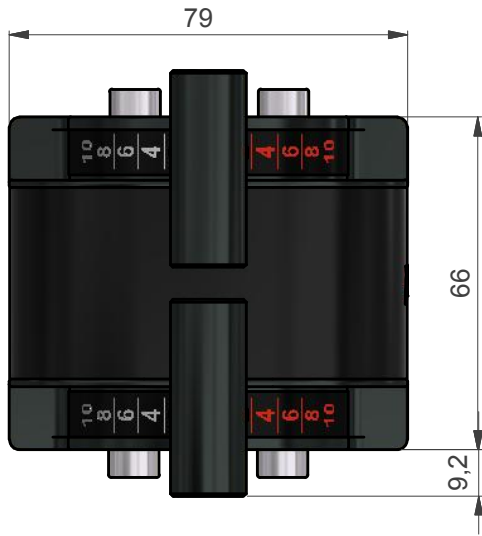
The unit is made of a seawater proof aluminium alloy and executed with one or two peripheral dials. All decorative parts are black or blank anodized. The lever unit can be equipped with single or twin levers, straight or tilted, and with spherical knobs or cross bars.

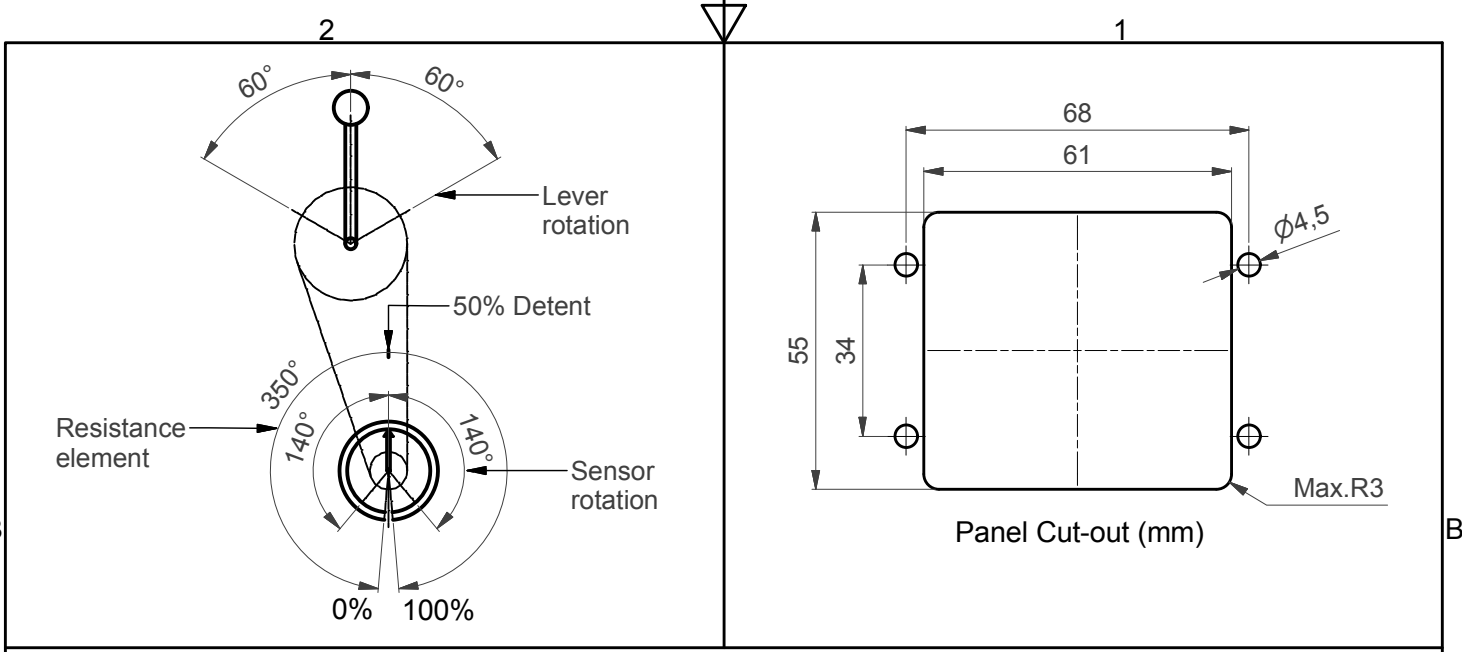
IP68 tested.

Options

- Integrated signal transmitter 4-20mA (single lever only)
- Micro switch contacts for e.g. clutch control
- Mechanically lockable cross-levers
- Stepper motors for:
 - Automatic line-up (Electric Shaft);
 - Electrical fine adjustment;
 - Haptic feedback;
 - Programmable detents (palpable stops);
- Other options on request

Rev	Description	Date	Name
A	Added standard mounting plate	01-02-2019	EH





ELECTRICAL

Angle sensor:	Potentiometer, 2KOhm, 4-wire, part no. 54000019
Output signal:	Linear, 10-90% of potentiometer supply voltage
Dial illumination:	LED-type, dimmable, 0-32VDC

MECHANICAL

Transmission:	Gearwheel, ratio 1:2.33
Housing:	Anodized aluminum 51st, sea water proof
Levers:	Stainless steel 316
Palpable stops (detents):	1x Neutral position, 2x adjustable end stop
Grips / knobs:	POM / Duroplast
Dial:	Translucent foil, UV proof

ENVIRONMENTAL

Ingress protection	IP68 (top side)
Operating temperature:	-25°C / +70°C
Humidity:	Max. 95%RH@55°C
Vibration:	2-13.2Hz A=2mm
EMC class:	ENV-3, Lloyds / Class B, DNV-GL, all locations
Approvals:	Type approved by 8 major classification societies



	Title: BUK-G mk2		Description: DH cross grip 1RC/2K FWD			
	No: A0135186	Drawn by: EVD	Rev.: A	Date: 10-12-2018	Art.: 11509401	Sheet: 2 / 2

2

1